

### Features

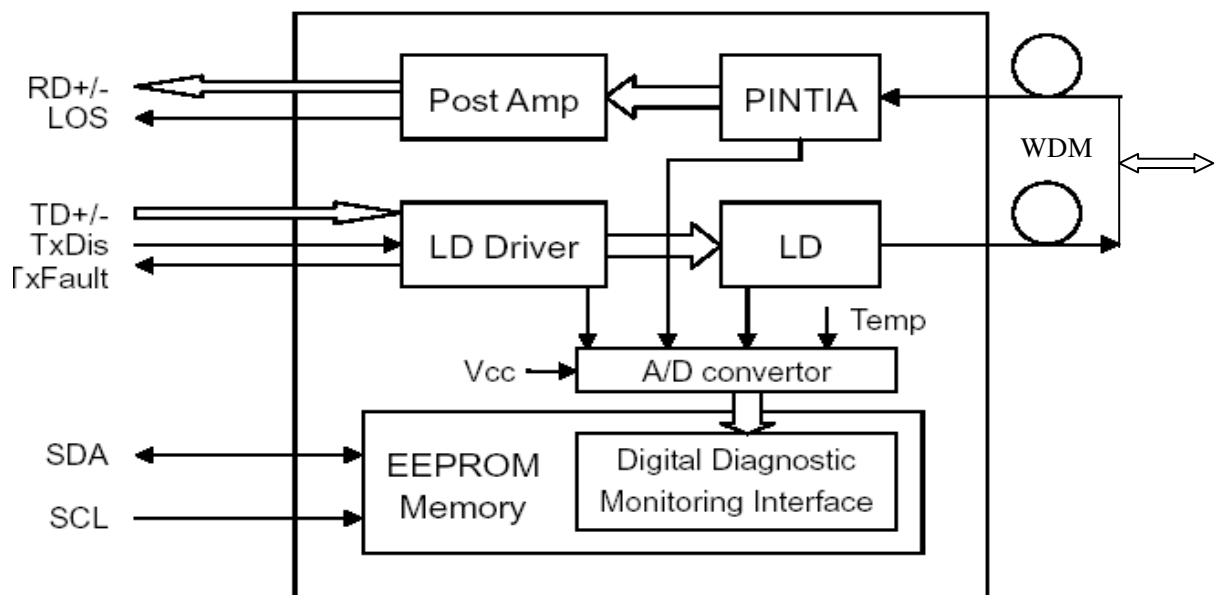
- Transceiver unit with independent
  - ✦ 1550nm DFB Laser diode transmitter
  - ✦ 1490nm InGaAs PIN photodiode receiver
- Meet SFP MSA and SFF-8472 with single LC receptacle
- Operating data rate up to 1.25Gbps
- Digital Diagnostic Monitoring
- +3.3V Single power supply
- Operating case temperature:
  - Standard : 0 to +70°C
  - Industrial : -40 to +85°C
- Metal enclosure for lower EMI
- 24dB Minimum Power Budget
- Qualified to meet the intent of Bellcore reliability practices
- LVPECL logic interface simplifies interface to external circuitry
- LVTTTL logic Signal level R<sub>x</sub> LOS
- Color Coded Bail Latch: Violet
- With pull de-latch
- Compliant ROHS and lead free

### Application

- ATM
- SONET/SDH
- Ethernet
- Switches
- Routers
- Hubs

### General

The optical transceiver is compliant with the Small Form- Factor Pluggable (SFP) Multi-Source Agreement (MSA) and SFF-8472. It offers previously unavailable system cost, upgrade, and reliability benefits by virtue of being hot-pluggable.



**Transmitter Section**

Transmitter is designed for single mode fiber and operates at a nominal wavelength of 1550nm. The transmitter module uses DFB laser diode and full IEC825 and CDRH class 1 eye safety. The output power can be disabled via the single TxDis pin. Logic LVTTTL HIGH level disables the transmitter. It contains APC function, temperature compensation circuit, PECL data inputs, LVTTTL Txdis input and Tx fault Output interface.

**Receiver Section**

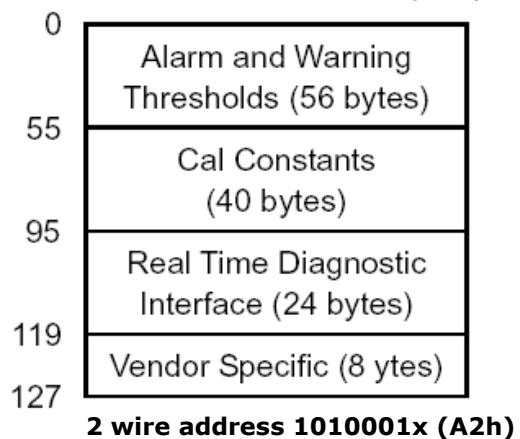
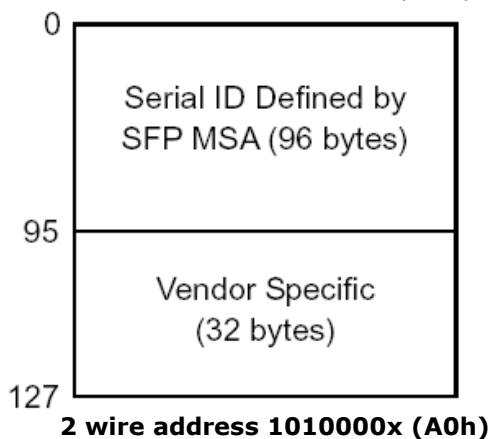
The receiver section uses a hermetic packaged front end receiver (InGaAs PIN and preamplifier). The postamplifier is AC coupled to preamplifier through a capacitor and a low pass filter. The capacitor and LPF are enough to pass the signal from 5Mb/s to 1260Mb/s without significant distortion or performance penalty. The LPF limits the preamplifier bandwidth to improve receiver sensitivity. As the input optical is decreased, LOS will switch from low to high. As the input optical power is increased from very low levels, LOS will switch back from high to low.

**EEPROM Section**

The optical transceiver contains an EEPROM. It provides access to sophisticated identification information that describes the transceiver’s capabilities, standard interfaces, manufacturer, and other information .The serial interface uses the 2-wire serial CMOS EEPROM protocol defined for the ATMEL AT24C01A/02/04 family of components. When the serial protocol is activated, the host generates the serial clock signal (SCL, Mod Def 1). The positive edge clocks data into those segments of the EEPROM that are not write protected within the SFP transceiver. The negative edge clocks data from the SFP transceiver. The serial data signal (SDA, Mod Def 2) is bi-directional for serial data transfer. The host uses SDA in conjunction with SCL to mark the start and end of serial protocol activation. The memories are organized as a series of 8-bit data words that can be addressed individually or sequentially.

The Module provides diagnostic information about the present operating conditions. The transceiver generates this diagnostic data by digitization of internal analog signals. Calibration and alarm/warning threshold data is written during device manufacture. Received power monitoring, transmitted power monitoring, bias current monitoring, supply voltage monitoring and temperature monitoring all are implemented. The diagnostic data are raw A/D values and must be converted to real world units using calibration constants stored in EEPROM locations 56 – 95 at wire serial bus address A2h. The digital diagnostic memory map specific data field define as following.

**Memory Map:**



## Performance Specifications

**Table1. Absolute Maximum Ratings**

| Parameter            | Symbol  | Min  | Max  | Unit |
|----------------------|---------|------|------|------|
| Storage Temperature  | Tst     | -40  | +85  | °C   |
| Input Voltage        | -       | GND  | Vcc  | V    |
| Power Supply Voltage | Vcc-Vee | -0.5 | +3.6 | V    |

**Note:** Stress in excess of maximum absolute ratings can cause permanent damage to the module

**Table2. Operating Environment**

| Parameter                     | Symbol | Min          | Max  | Unit |    |
|-------------------------------|--------|--------------|------|------|----|
| Power Supply Voltage          | Vcc    | +3.1         | +3.5 | V    |    |
| Ambient Operating Temperature | TA     | CBP7D5-31-25 | 0    | +70  | °C |
|                               |        | CBP7D5-32-25 | -40  | +85  |    |

**Table3. Transmitter electrical and optical Characteristics**

| Parameter                    | Symbol                    | Min  | Typ  | Max  | Unit | Note |
|------------------------------|---------------------------|------|------|------|------|------|
| Center Wavelength            | $\lambda_p$               | 1540 | 1550 | 1560 | nm   | -    |
| Spectral Width(-20dB)        | $\Delta\lambda$           | -    | -    | 1    | nm   | -    |
| Side Mode Suppression Ratio  | SMSR                      | 30   | -    | -    | dB   | -    |
| Average Optical Output Power | Po                        | -1   | -    | +4   | dBm  | -    |
| Extinction Ratio             | EXT                       | 8.2  | -    | -    | dB   | -    |
| Transmitter disable Voltage  | V <sub>D</sub>            | 2.0  | -    | Vcc  | V    | -    |
| Transmitter Enable Voltage   | V <sub>EN</sub>           | 0    | -    | 0.8  | V    | -    |
| Power supply Current         | Icc                       | -    | 70   | 180  | mA   | 1    |
| Data Input Voltage           | Vpp                       | 300  | -    | 1600 | mV   | -    |
| Output Eye Diagram           | Compliant with IEEE802.3Z |      |      |      |      |      |

**Table 4.Receiver optical-electrical characteristics**

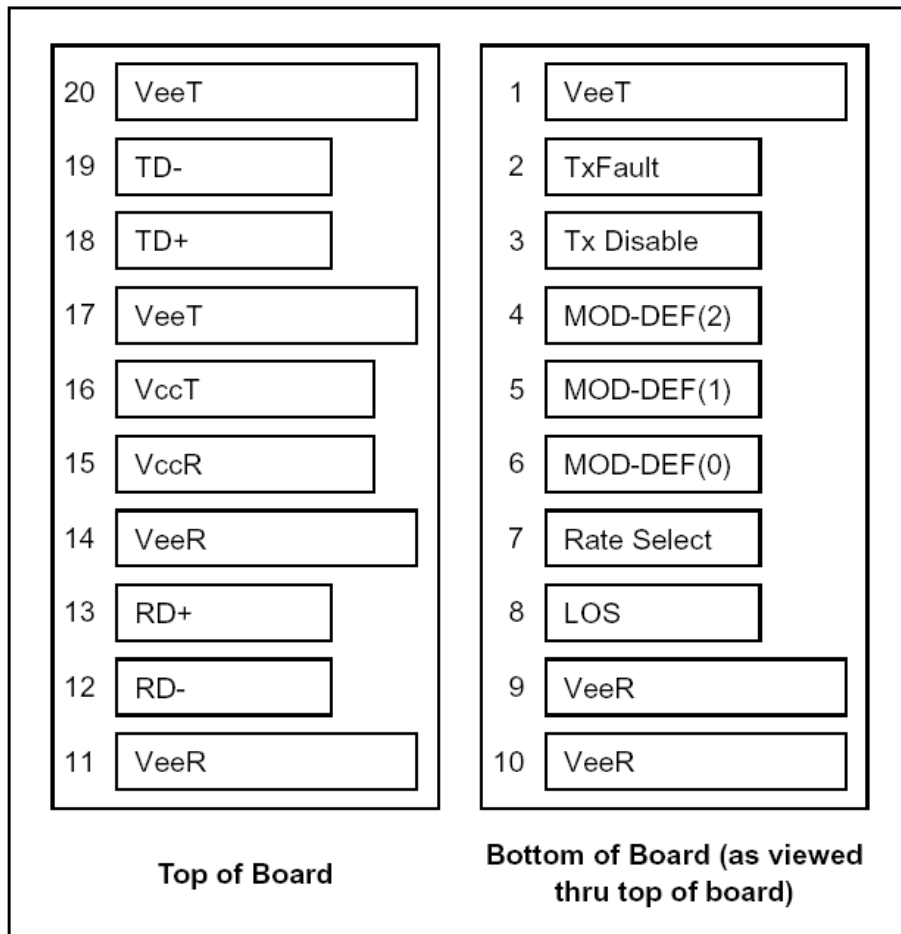
| Parameter            | Symbol | Min  | Typ  | Max  | Unit | Note                 |
|----------------------|--------|------|------|------|------|----------------------|
| Operate Wavelength   | -      | 1480 | 1490 | 1500 | nm   | -                    |
| Sensitivity          | Pr     | -    | -    | -25  | dBm  | 2                    |
| Saturation           | Ps     | -3   | -    | -    | dBm  | 2                    |
| LOS Asserted         | -      | -35  | -    | -    | dBm  | High Level:<br>Alarm |
| LOS De-Assert        | -      | -    | -    | -25  | dBm  |                      |
| LOS Hysteresis       | -      | -    | 3    | -    | dB   |                      |
| Return Loss          | -      | 12   | -    | -    | dB   | @1490nm              |
| LOS LOW voltage      | VLout  | -    | -    | 0.8  | V    | -                    |
| LOS HIGH voltage     | VHout  | 2.0  | -    | -    | V    | -                    |
| Power Supply Current | Icc    | -    | 80   | 170  | mA   | 1                    |
| Data Outputs Voltage | Vpp    | 400  | 800  | 1000 | mV   | -                    |

**Notes:**

1. The current excludes the output load current.
2. Minimum Sensitivity and saturation levels for a  $2^7 - 1$  PRBS test pattern@1.25Gb/s

**Pin Definition**

**Pin Out Diagram**



**Table5.Pin Function Definitions**

| Pin# | Name        | Description                  | Notes                                   |
|------|-------------|------------------------------|---|
| 1    | VeeT        | Transmitter Ground           | -                                       |
| 2    | TX Fault    | Transmitter Fault Indication | Notes 1                                 |
| 3    | TX Disable  | Transmitter Disable          | Note 2, Module disables on high or open |
| 4    | MOD-DEF2    | Module Definition 2          | Note3, 2 wire serial ID interface       |
| 5    | MOD-DEF1    | Module Definition 1          | Note 3, 2 wire serial ID interface      |
| 6    | MOD-DEF0    | Module Definition 0          | Note 3, Grounded in Module              |
| 7    | Rate Select | Not use                      | -                                       |
| 8    | LOS         | Loss of Signal               | Notes 4                                 |
| 9    | VeeR        | Receiver Ground              | Note 5                                  |
| 10   | VeeR        | Receiver Ground              | Note 5                                  |
| 11   | VeeR        | Receiver Ground              | Note 5                                  |
| 12   | RD-         | Inv. Received Data Out       | Notes 6                                 |
| 13   | RD+         | Receiver Data out            | Notes 6                                 |
| 14   | VeeR        | Receiver Ground              | Note 5                                  |
| 15   | VccR        | Receiver Power               | Note 7, 3.3V $\pm$ 5%                   |
| 16   | VccT        | Transmitter Power            | Note 7, 3.3V $\pm$ 5%                   |
| 17   | VeeT        | Transmitter Ground           | Note 5                                  |
| 18   | TD+         | Transmit Data In             | Note 8                                  |
| 19   | TD-         | Inv. Transmit Data In        | Notes 8                                 |
| 20   | VeeT        | Transmitter Ground           | Notes 5                                 |

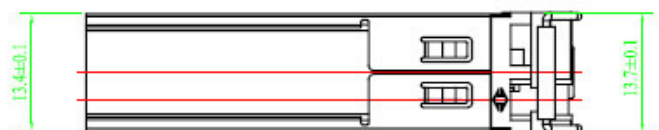
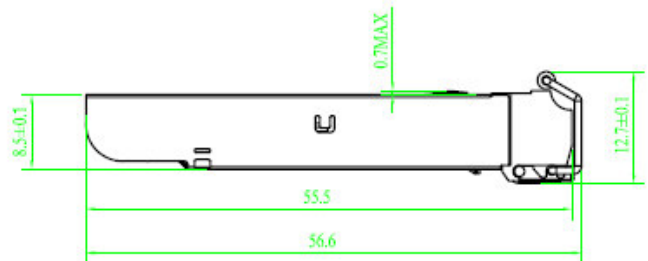
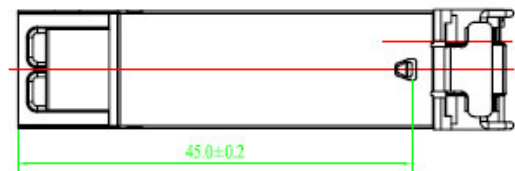
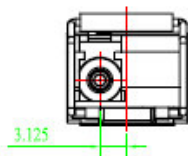
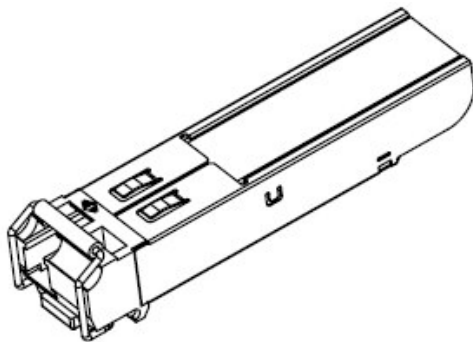
**Note:**

1. TX Fault is an open collector/drain output, which should be pulled up with a 4.7K–10K $\Omega$  resistor on the host board. Pull up voltage between 2.0V and VccT, R+0.3V. When high, output indicates a laser fault of some kind. Low indicates normal operation. In the low state, the output will be pulled to < 0.8V.
2. TX disable is an input that is used to shut down the transmitter optical output. It is pulled up within the module with a 4.7–10 K $\Omega$  resistor. Its states are:
  - Low (0 – 0.8V): Transmitter on
  - (>0.8, < 2.0V): Undefined
  - High (2.0 – 3.465V): Transmitter Disabled
  - Open: Transmitter Disabled
3. Mod-Def 0,1,2. These are the module definition pins. They should be pulled up with a 4.7K – 10K $\Omega$  resistor on the host board. The pull-up voltage shall be VccT or VccR. Mod-Def 0 is grounded by the module to indicate that the module is present Mod-Def 1 is the clock line of two wire serial interface for serial ID Mod-Def 2 is the data line of two wire serial interface for serial ID
4. LOS (Loss of Signal) is an open collector/drain output, which should be pulled up with a 4.7K – 10K $\Omega$  resistor. Pull up voltage between 2.0V and VccT, R+0.3V. When high, this output indicates the received optical power is below the worst-case receiver sensitivity(as defined by the standard in use). Low indicates normal operation. In the low state, the output will be pulled to < 0.8V.
5. VeeR and VeeT may be internally connected within the SFP module.
6. RD-/+ : These are the differential receiver outputs. They are AC coupled 100 $\Omega$  differential lines which should be terminated with 100 $\Omega$  (differential) at the user SERDES. The AC coupling is done inside the module and is thus not required on the host board.
7. VccR and VccT are the receiver and transmitter power supplies. They are defined as 3.3V  $\pm$ 5% at the SFP connector pin. Maximum supply current is 300mA. Recommended host board power supply filtering is shown below. Inductors with DC resistance of less than 1 $\Omega$  should be used in order to maintain the required voltage at the SFP input pin with 3.3V supply voltage. When the recommended supply filtering network is used, hotplugging of the SFP transceiver module will result in an inrush current of no more than 30 mA greater than the steady state value. VccR and VccT may be internally connected within the SFP transceiver module.
8. TD-/+ : These are the differential transmitter inputs. They are AC-coupled, differential lines with 100 $\Omega$  differential termination inside the module. The AC coupling is done inside the module and is thus not required on the host board.

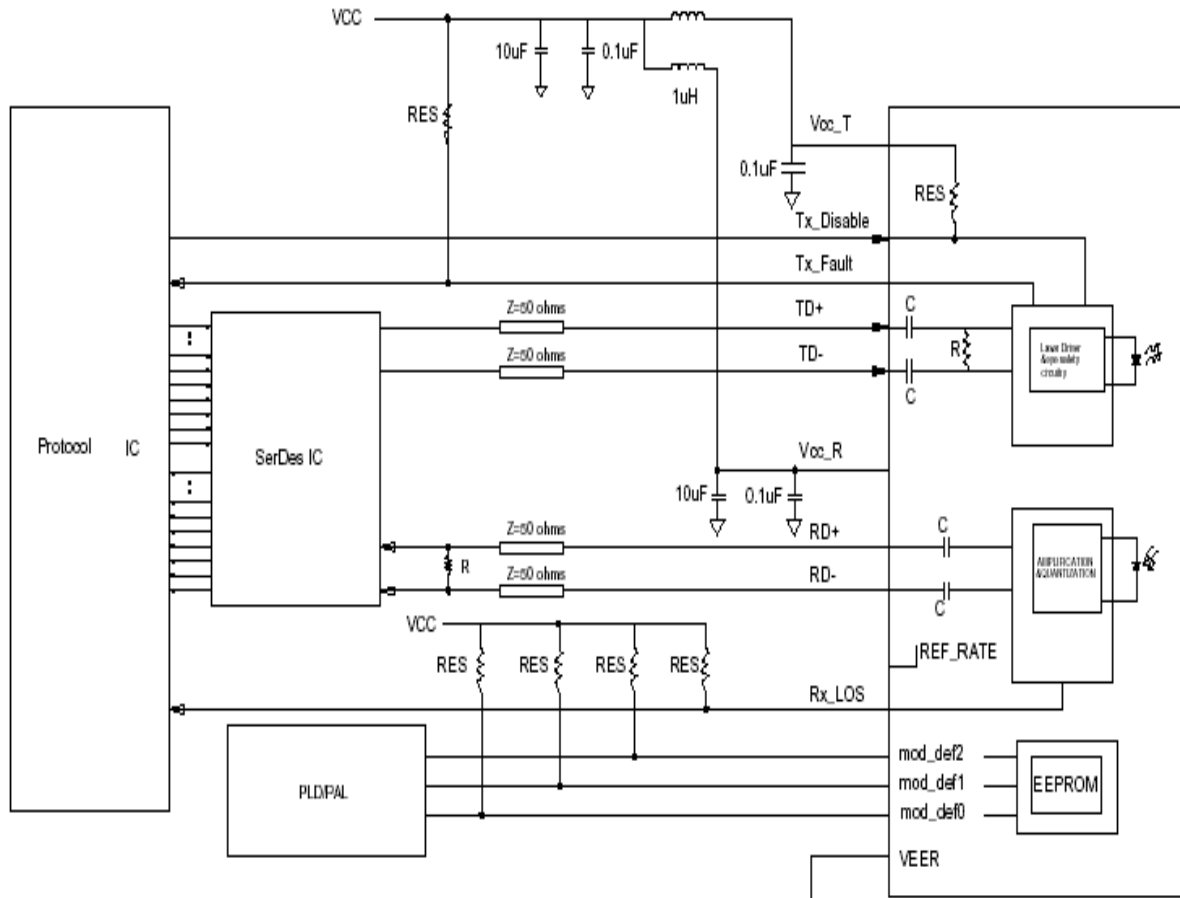
**Diagnostic**

| Parameter    | Range                | Accuracy | Unit | Calibration | Bit Value | Value Formula   |
|--------------|----------------------|----------|------|-------------|-----------|---|
| Temperature  | 0 to 70<br>-40 to 85 | ±3       | °C   | External    | 1/256     | $T_c(C) = T_{ad}(16 \text{ bit signed twos complement}) / 256 * T_{slope}$              |
| Voltage      | 0 to Vcc             | 0.1      | V    | External    | 100 μ V   | $V(100 \mu V) = (V_{ad}(16 \text{ bit signed integer}) + V_{offset}) / 256 * T_{slope}$ |
| Bias Current | 0 to 100             | 1        | mA   | External    | -         | $I(2 \mu A) = I_{slope} * I_{ad}(16 \text{ bit unsigned integer})$                      |
| Tx Power     | -1 to +4 dBm         | ±3dB     |      | External    | -         | $Tx\_PWR(0.1 \mu W) = Tx\_PWR_{slope} * Tx\_PWR_{rad}(16 \text{ bit unsigned integer})$ |
| Rx Power     | -25 to -3dBm         | ±3dB     |      | External    | -         | $Rx\_PWR(0.1 \mu W) = Rx\_PWR_{slope} * Rx\_PWR_{rad}(16 \text{ bit unsigned integer})$ |

**Package information**



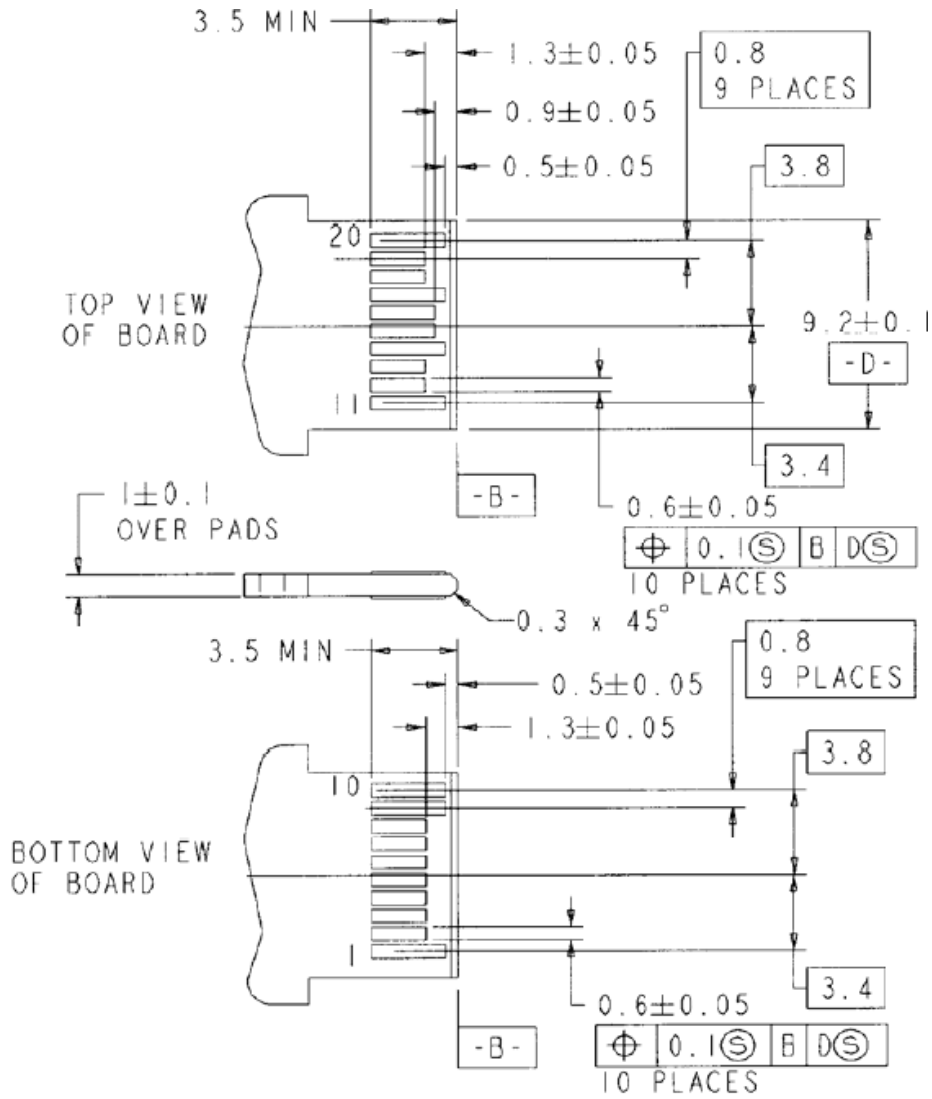
**Recommended Circuit**



**Note: 4.7K ohms < RES < 10K ohms**



Recommended Board Layout Hole Pattern



**For More Information**

**Shenzhen Transwan Optoelectronic Technology co., Ltd**

**Add: 5F B Building, Zhi Xuan Han YuanLing Industrial Park, Shi Yan, Bao'an, Shenzhen, P.R.C**

**Tel: +86-755-29003393, 29003397 Fax: +86-755-29003396, 22630311**

**E-mail: sales@transwan.com.cn website: www.transwan.com.cn**

**Ordering Information**

